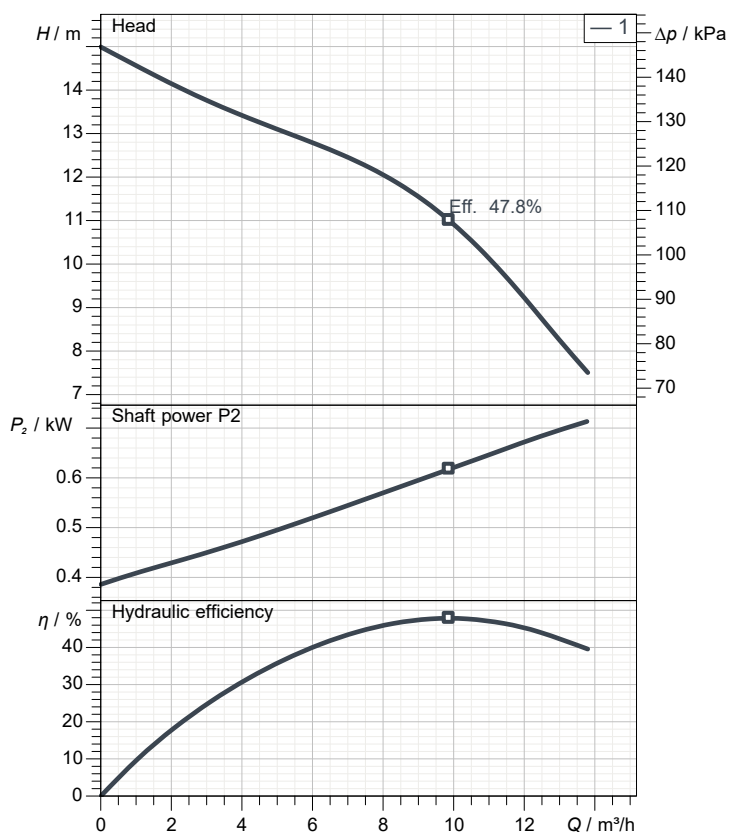
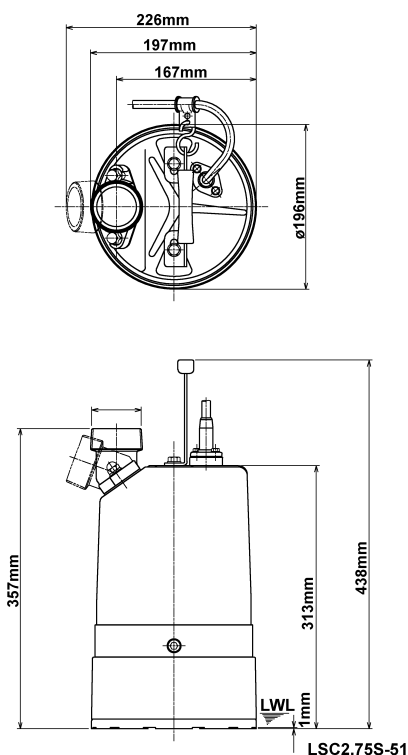


Data sheet LSC2.75S-51



LWL: Lowest running water level

Specification

Electric submersible pump LSC-series
 Degree of protection IP 68
 Pressure resistance max. 10 m
 Type of impeller semi-vortex
 Max. solid handling 6 mm
 Suitable for:
 residue water on flat surfaces

Electric motor

Dry-type submersible induction motor
 Insulation class E 2Poles 2741 1/min
 Starting mode
 Rated voltage 230 V 50 Hz 1~
 Power uptake 1.05 kW
 Rated power 0.75 kW
 Rated current 4.5 A
 Start current 10.4 A

Cable

10m H07RN8-F 3Cx1mm²

Motor Protection

Circle thermal protector
 (snap-action bi-metal device)

Shaft seal

Double inside mechanical seal in oil bath
 additional lubrication by oil lifting device
 Primary seal
 Silicon carbide on silicon carbide
 Secondary seal
 Carbon on ceramic

Bearings

Shielded ball bearings, maintenance-free

Materials

Impeller	Urethane rubber
Pump casing	BR + Natural Rubber
Motor Frame	Aluminium die casting
Shaft	SUS403 (EN-X6Cr13)

Discharge size

2" (50mm) BS-Coupling (threaded flange)

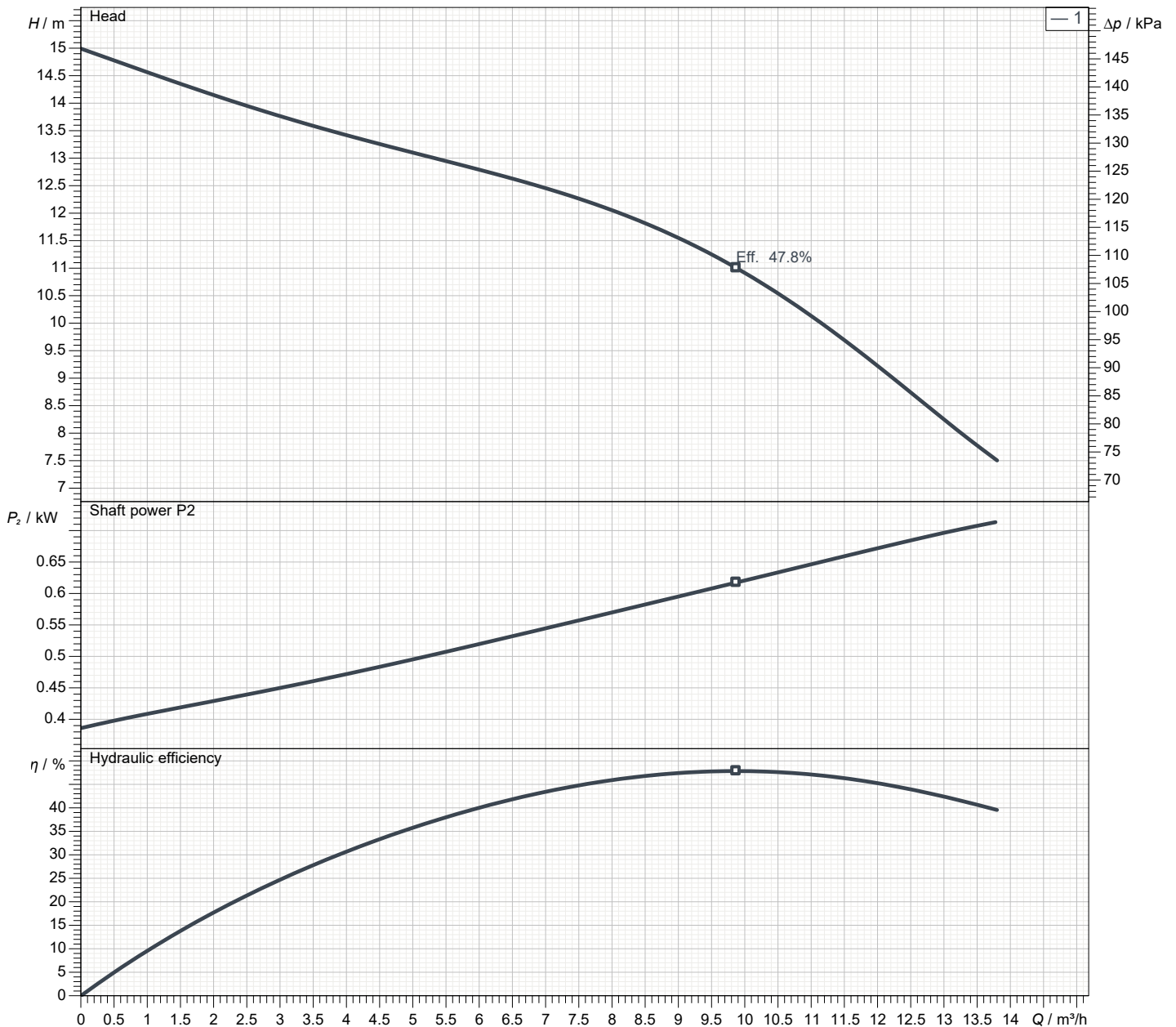
Weight

15.2 kg (dry weight of the pump only without cable)

Performance curve

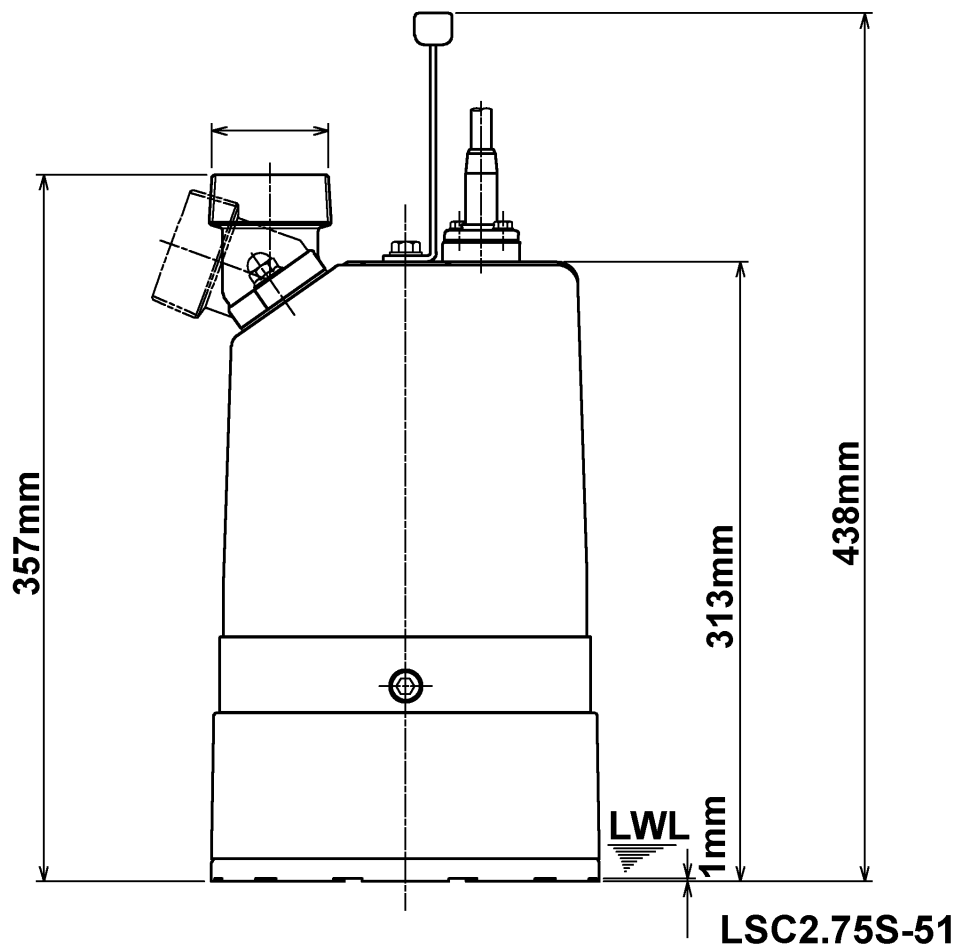
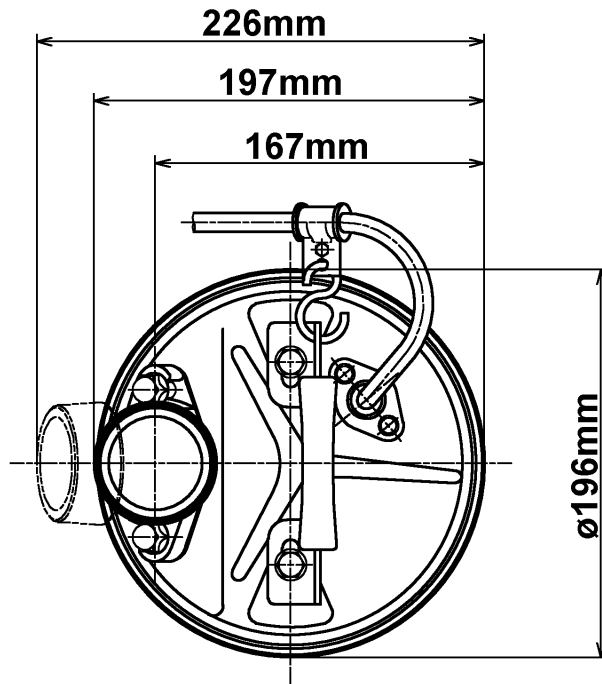
LSC2.75S-51

Discharge port	2"
Head	15.0 m
Flow	13.8 m ³ /h
Rated power	0.75 kW
Power input	1.05 kW
Phases	1~
Voltages	230 V
Frequency	50 Hz
Rated current	4.5 A
Starting current	10.40 A
Number of poles	2
Speed	2741 1/min
Starting mode	
Insulation class	E



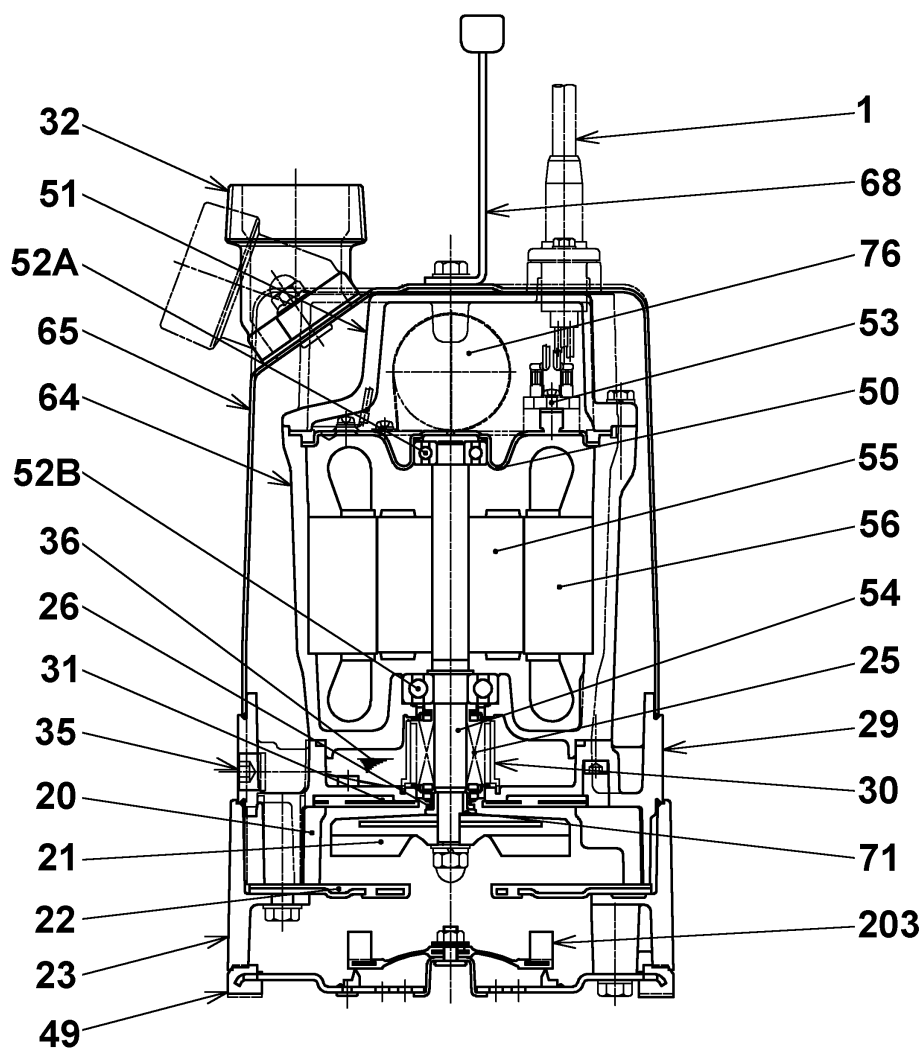
Dimensions

LSC2.75S-51



CWL: Continuous running water level
LWL: Lowest running water level

Sectional drawing LSC2.75S-51



LSC2.75S-51

No.	Description	Remark	No.	Description	Remark
1	Cable	H07RN8-F	52A	Upper bearing	6201ZZC3
20	Pump casing	BR + Natural Rubber	52B	Lower bearing	6302ZZC3
21	Impeller	Urethane rubber	53	Miniature protector	.
22	Suction cover	Steel plate + Urethane rubber	54	Shaft	SUS403 (EN-X6Cr13)
23	Strainer	Aluminium die casting	55	Rotor	.
25	Mechanical seal	Siliziumkarbid, W-14VL	56	Stator	.
26	Oil seal	Butadiene-acrylonitrile-rubber	64	Motor Frame	Aluminium die casting
29	Oil casing	Aluminium die casting	65	Outer Cover	Steel plate
30	Oil distributor	Plastic	68	Handle	Plastic
31	Attrition plate	Urethane rubber	71	Shaft protection sleeve	SUS304 (EN-X5CrNi18-10)
32	Discharge coupling	Aluminium die casting	76	Condenser	.
35	Oil screw	SUS304 (EN-X5CrNi18-10)	203	Nonreturn valve	Styrenebutadienerubber
36	Lubricant	Turbine oil (ISO VG32)			
49	Bottom Plate	Steelplate + butadieneacrylonitrilerubber			
50	Motor cover	Steel plate			
51	Main cover	Aluminium die casting			