

**Performance**

Lift breakout force (ISO 14397-2)	48.80 kN
Lift capacity (ISO 14397-2)	36.90 kN
Tipping load, straight (ISO 14397-1)	3801 kg
Tipping load, articulated at 40° (ISO 14397-1)	3151 kg

**Engine**

Model	2.4L V2 BOBCAT ENGINE
Complacency	STAGE V
Cooling	Liquid
Fuel	Diesel
Fuel Tank	78.80 L
Power at 2600RPM (ISO 14396):	50.7 kW

**Weights**

Operating weight, standard (ISO 6016)	5091 kg
Shipping weight, standard (ISO 6016)	4674 kg
Max front axle load	6000 kg
Max rear axle load	6000 kg

**Hydraulic System**

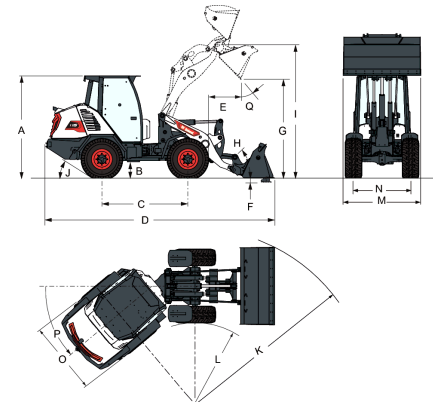
System Relief @ Quick Couplers	20.5 MPa
Hydraulic Tank	27.20 L
Auxiliary Std Flow	75.40 L/min
Auxiliary High Flow	103.50 L/min

**Drive System**

Main Drive	Proportionally regulated hydrostatic motor
Transmission	Hydrostatic with electronic regulation

**Controls**

Vehicle steering	Machine articulation via hydraulic steering with steering wheel
Travel Direction	Travel direction switch (F-N-R) on joysticks. Drive pedal in work and travel mode.
Machine hydraulics	Dual axis joystick for lift, tilt and auxiliary
Vehicle braking	Combination of integrated 6 wet brake disk in rear axle with hydrostatic braking effect provision

**Dimensions**


(A)	2497.7 mm	(J)	33.4°
(B)	427.0 mm	(K)	3829.8 mm
(C)	2100.0 mm	(L)	1985.6 mm
(D)	5452.7 mm	(M)	1900.0 mm
(E)	686.0 mm	(N)	1393.0 mm
(F)	100.0 mm	(O)	1800.0 mm
(G)	2507.5 mm	(P)	40.0°
(I)	3250.0 mm	(Q)	45.0°