

# TL30-70 100 Low Cab IV Telescopic Handler

## Telescopic Specifications

### Performance

Lifting height — on tyres	6675.0 mm
Rated capacity	3000 kg
Capacity (at max. height on tyres)	2000 kg
Capacity (at max. reach on tyres)	1050 kg
Max. reach on tyres	4020.0 mm

### Weights

Weight (unladen)	5800 kg
------------------	---------

### Traction

Standard tyres	SOLIDEAL 405/70-20 14PR
----------------	-------------------------

### Drive System

Transmission	Hydrostatic with electronic regulation
Main drive	Hydrostatic motor
1st gear – Turtle (40 KM/H option)	10 (10) km/h
1st gear – Rabbit (40 KM/H option)	31 (40 with 24 inch tyres) km/h

### Engine

Make / Model	Bobcat D34
Fuel	Diesel
Cooling	Coolant
Rated power (ISO 14396:2002) at 2400 RPM	100.0 HP
Rated power (ISO 14396:2002) at 2400 RPM	55.2 kW
Maximum torque at 1400 RPM	430.0 Nm
Number of cylinders	4
Displacement	3.40 L

\*Stage IIIB Bobcat D34 also available in 55kW/75HP version (without SCR/Ad-Blue after-treatment)

### Hydraulic System

Pump type	Gear pump with LS valve
Pump capacity	100.00 L/min
Relief valve pressure setting	250.00 bar

### Cycle Times

Lift time - no load	5.3 s
Lower time - no load	4.0 s
Telescope in time at max. reach - no load	4.2 s
Telescope in time at max. height - no load	4.2 s
Telescope out time at max. reach - no load	6.3 s
Telescope out time at max. height - no load	6.3 s

### Brakes

Engine braking	Hydrostatic
Parking and emergency brake	Passive brake

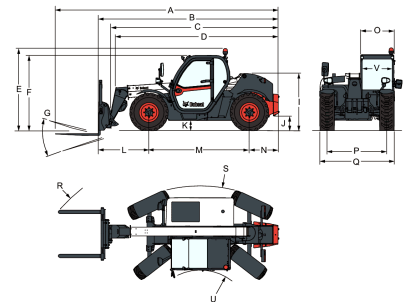
### Fluid Capacities

Fuel tank	115.00 L
Hydraulic reservoir	47.00 L

### Environmental

Operator noise level (LpA) (EN 12053)	77 dB(A)
Operator noise level (LpA) (EN 12053) uncertainty	4 dB(A)
Level of acoustic power (LWA)	106 dB(A)
Whole body vibration (EN 13059)	1.70 ms <sup>-2</sup>

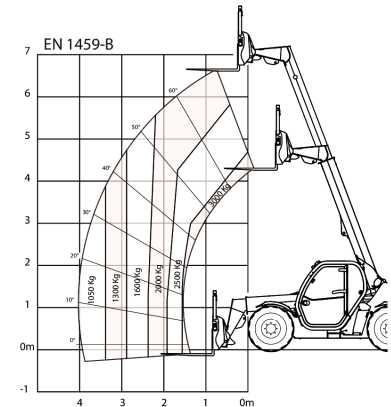
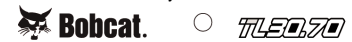
### Dimensions



(A)	6240.0 mm	(M)	2820.0 mm
(B)	5035.0 mm	(N)	667.0 mm
(C)	4670.0 mm	(O)	930.0 mm
(D)	4185.0 mm	(P)	1666.0 mm
(E)	2290.0 mm	(Q)	2100.0 mm
(F)	2156.0 mm	(R)	5035.0 mm
(G)	136.0°	(R)	5130.0 mm
(I)	1587.0 mm	(S)	3717.0 mm
(J)	264.0 mm	(U)	1329.0 mm
(L)	1400.0 mm	(V)	857.0 mm

### Load Charts

With forks on 20 inch tyres



109460 G7

731.2833

### Options

Air conditioning	Basic option tyres - set of 4 x 400/80-24"
Boom stop	Blue lights for henhouses
Custom colour	Boom suspension
Fire extinguisher	Boom wiring harness and controls in cab
Forward/Reverse control on Steering Wheel Lever (no longer on joystick)	Dunlop tyres - set of 4 x 405/70-20" SPT9 MPT (SEMI INDUSTRIAL)
Lockable fuel cap	Dunlop tyres - set of 4 x 405/70-24" SPT9 MPT (SEMI INDUSTRIAL)
Loudspeaker & radio ready	Forward/Reverse control on joystick and steering wheel
Pintle tow hitch (including rear electric socket)	Front tow hitch
Protective grill for windshield (front and roof)	Premium cab finition (deluxe steering wheel, arm rest, aluminium panels)
Rear Flat Mirror	Fan inverter with manual & auto modes
Roof window wiper	Michelin tyres - set of 4 x 400/70R20" 149A8/149B IND TL BIBLOAD
Sun visor	
Support for vehicle registration plate	
Wheel wedge	
Work lights on boom	
Basic tow hitch	
High comfort air suspension seat	

Keyless ignition (start/stop with keypad)	Michelin tyres - set of 4 x 400/70R20" 149A8/149B IND TL XMCL
Michelin tyres - set of 4 x 400/80-24" 162A8 IND TL POWER CL	Michelin tyres - set of 4 x 400/70R24" 152A8/152B IND TL XMCL
Quicktach carriage with hydraulic attachment lock (boom wiring harness mandatory)	Rear auxiliary line
Rotating tow hitch (including rear electric socket)	Rear auxiliary line with hydraulic pick-up tow hitch (including rear electric socket) (rear flat mirror mandatory)
Standard engine ignition (with key) with additional keypad security	Rotating tow hitch with height adjustment (auto-lock/German style) (including rear electric socket)
Manitou carriage with hydraulic attachment lock (boom wiring harness mandatory)	Rotating tow hitch with height adjustment (manual locking) (including rear electric socket)
Manitou carriage with manual attachment lock	Belgian AG homologation
	French AG homologation
	Italian AG homologation
	PVC Document holder
	Trailer brake valve (not available for Germany & Italy)
	Transmission 40km/h (max speed with 24" tyres)