

HMK 62 T

MINI BACKHOE LAODER



HIDROMEK





HMK 62 T

Mini Crawler Backhoe Loader

Innovation coming from
experience

HMK 62 T mini crawler backhoe loader, designed and produced as a result of the combination of HIDROMEK's experience in the backhoe loader product group with new technologies, enables to do all the work both a mini loader and a mini excavator can do by one machine. It makes work easier in narrow, rough and severe field conditions with its crawler structure, compact dimensions and superior performance.





Compact. Practical. Ergonomic!

HMK 62 T mini crawler backhoe loader offers unmatched loader and excavator performance in narrow work areas, fields and agricultural areas with its compact dimensions, ability to rotate 360 degrees around its own axis at a single point, comfortable usage and easy working with different attachments.

HMK 62 T always offers more than you need for different works with its high maneuverability and climbing ability, high level of loading, excavation efficiency and comfortable usage. In flat and sloping areas, HMK 62 T increases the productivity in your work with its comfortable and easy usage and excellent traction.

Robust Structure

Being manufactured at HIDROMEK's modern production facilities and going through sensitive quality-control processes, HMK 62 T is produced for maximum performance, long life and trouble-free usage in tough field conditions.

HMK 62 T offers robust, balanced and long-lasting usage with its K-type pallets consisting of steel layers extra resistant to abrasion to maximize its durability.





Safe working environment

ROPS & FOPS Cabin

Having the standards of ROPS (Roll Over Protective Structure) & FOPS (Falling Object Protective Structure), HMK 62 T provides maximum safety and durability.

Wide vision capacity and operator safety

HMK 62 T, designed with special attention to occupational safety, offers excellent visibility and control in both directions when working with backhoe and loader. It allows the operator to get on and off the machine easily and safely with a step on its pallet.

HMK 62 T allows the operator to control the machine independently from the position of the seat with its bidirectional hydraulic system and joysticks on the seat. The operator can also check and adjust the attachment on backhoe side when traveling forward. In addition, if the machine needs going forward while the operator is working in digging mode, the operator can easily move the machine forward without changing his position. Also, when the machine moves against the working direction, it gives an audible warning for safety.



Versatile, comfort usage

HMK 62T, which has all the necessary technology for superior performance, ease of use, operator safety and trouble-free use for a long time, provides the opportunity to perform different work with its versatile use in the field.

When the machine starts working, it makes the controls automatically, and gives a warning if there is a fault. The boom lock of HMK 62 T having an electronic engine and electronic display allows the entire system to be locked at a single point.

HMK 62 T, having a very practical attachment change, provides practical and productive working opportunity in narrow or confined spaces and on rugged or smooth terrain.





Office comfort in construction equipment

HMK 62 T with its equipment and features ensures the operator to work ergonomically, safely and easily. The air conditioning system tested in extreme cold weather conditions works with superior performance even in -20 degrees celcius. In addition, it offers enjoyable working environment to the operator even in the most difficult climate conditions with its defrosting features.

In HMK 62 T, fuel and hydraulic tanks are kept apart from the cabin, and are located at the service point; therefore, the load on the cabin due to fluid movements in the tank do not reach the user, and protects the operator from noise and vibration.

- Ergonomic operator seat
- Automatic air conditioning system
- Openable back window
- Openable side windows
- FOPS and ROPS certified cabin
- Radio and audio system
- Control with ergonomic joysticks integrated into the seat
- Interior light
- 12V power socket
- Personal storage spaces
- LCD display panel



Easy maintenance and fast service through safe and easy access

In HMK 62 T, the front hood and shutter can be opened easily to perform maintenance and service in the fastest way; hence, accessibility to the relevant areas is at maximum level.

With features such as having a service point where hydraulic system pressures are measured, easy access to control points with a mutual key and a tool box, HMK 62 T provides easy service and maintenance increasing the machine's uptime.

Widespread and fast HİDROMEK service network

Having service points more than 60 in Turkey and more than 100 abroad, HİDROMEK will help you with your works for after-sales services with 97% daily spare part supplying and 99% spare parts availability.



ENGINE

Brand & Model	KUBOTA V2403-CR-T-EW03
Type	Water-cooled, 4-stroke turbocharged diesel engine
Maximum Power	65,2 HP (48,6 kW) @2700 rpm
Maximum Torque	198,5 Nm @1600 rpm
Displacement	2434 cc
Bore x Stroke	87 x 102,4 mm
Emission Class	Stage V / EPA: Tier 4 Final

HYDRAULIC SYSTEM

Attachment Pump

Standard Flow Version	
Pump	Gear pump
Main Pump Flow	60 L/min @2700 rpm
Pressure	250 bar

High Flow Version (option)

Pump	Gear pump
Main Pump Flow	120 L/min @2700 rpm
Pressure	250 bar

Main Control Valve

Pump	Open centre system
Pressure	220 bar

CONTROL SYSTEM

Comfortable use with joysticks integrated into the seat used for loading, digging and travelling.

DRIVE SYSTEM

- Hydraulic system with variable displacement piston type pump
- Driving speed 0-7,5 km/h
- Max. Gradeability %57 (30°)
- Hydraulic Travel Pump

TRACKS

Track type	Rubber Track
Width	400 mm
Pitch	86
Number of Track	56

LOADER PERFORMANCE

Bucket capacity	0,45 m ³
Max. bucket breakout force	2883 kgf
Max. loading arm breakout force	2600 kgf
Lifting capacity to maximum height	1576 kg

BACKHOE PERFORMANCE

Bucket capacity	0,06 m ³
Max. bucket breakout force	1985 kgf
Max. dipper breakout force	1500 kgf
Lifting capacity to maximum height (rear)	332 kg

FILLING CAPACITIES

Fuel Tank	50 L	Engine Cooling System	11,5 L
Hydraulic Tank	36 L	Engine Oil	9,5 L
Hydraulic System	78 L		

OPERATING WEIGHT (kg)

HMK 62 T	5.280 kg
----------	----------

EQUIPMENT

HMK 62 T

Engine	Standard	Optional
Water cooled diesel engine with turbocharger and intercooler	●	
Two-stage air filter	●	
Air filter clogged indicator	●	
Low engine pressure warning system	●	
Overheat warning system	●	
Electronical engine control	●	
Auto idle		○

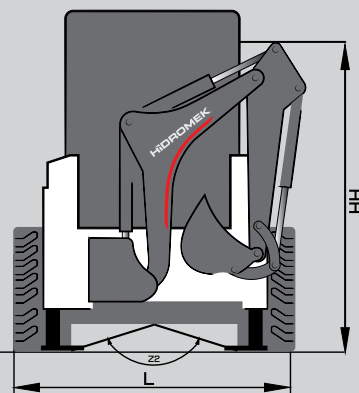
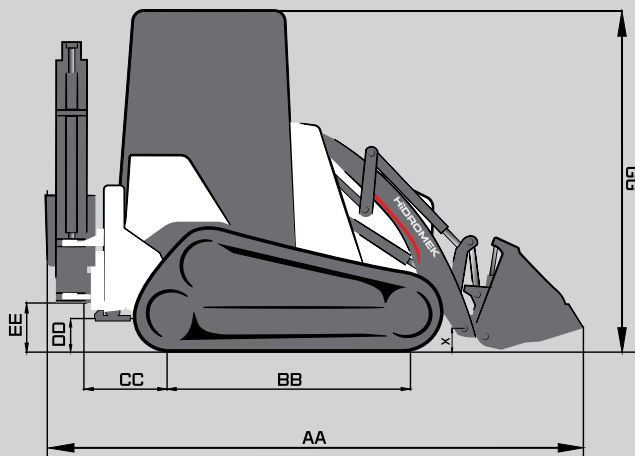
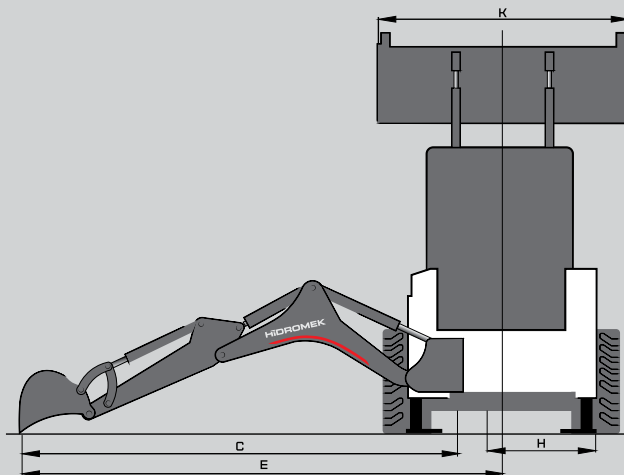
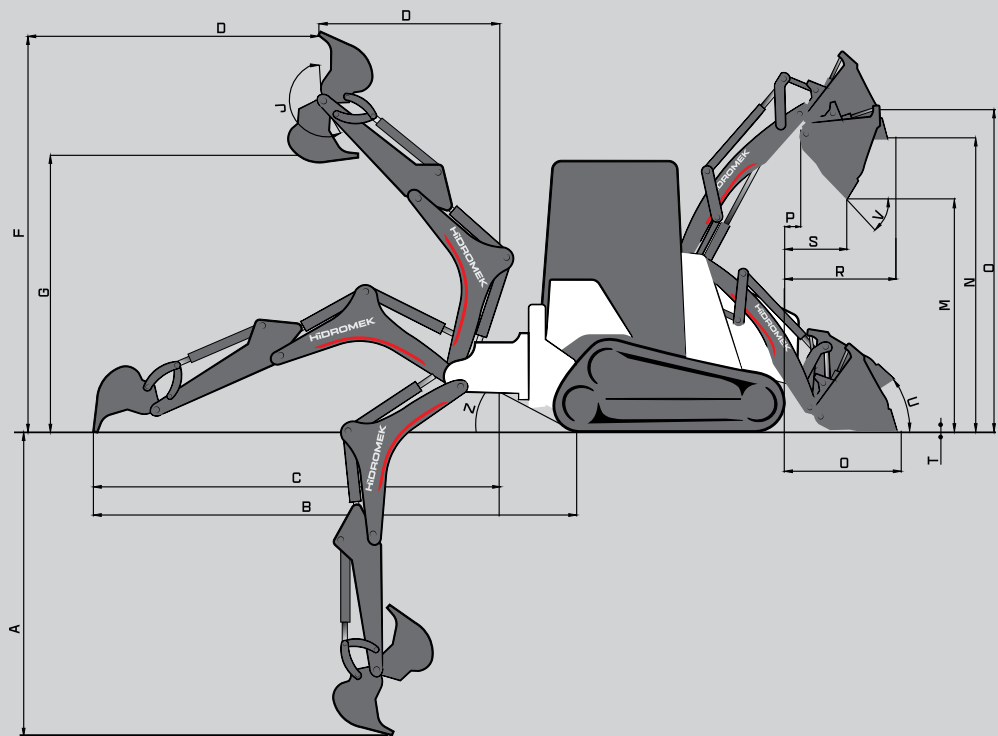
Hydraulic System	Standard	Optional
Main hydraulic filter	●	
Backup ports (valve)	●	
Hose burst valve	●	
Single-acting hydraulic line, breaker	●	
Quick coupling line	●	
High flow		○
Double acting backhoe line		○

Operator's Cab	Standard	Optional
Pressurized and sound isolated cabin	●	
Air-conditioning	●	
Opera control system	●	
Sliding rear window, opening side windows	●	
Windshield wiper	●	
Joysticks and pedals	●	
Front windshield	●	
Electric horn	●	
Intrerior light	●	
Easy-cleaned floor	●	
12V power socket	●	
Radio / Mp3	●	

Security	Standard	Optional
ROPS (Roll Over Protective Structure)	●	
FOPS (Falling Object Protective Structure)	●	
Right and left rear view mirrors	●	
Working lamps	●	
Swing and travel alarm		○
Emergency engine stop switch	●	
Battery cut-off switch	●	
Handrails by the steps and on the upper frame	●	
Lockable fuel tank cover	●	
Stabilizer Rubber Pad		○

Miscellaneous	Standard	Optional
Water sensor on fuel pre-filter	●	
Alternator (12 V, 60 A) - Battery (1X12 V, 100 Ah)	●	
Battery Charge Indicator	●	

● STANDARD ○ OPTIONAL



DIMENSIONS (mm)

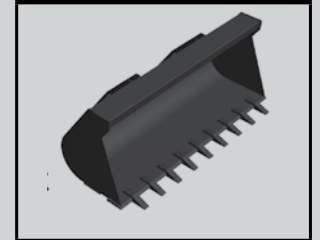
		Standard Arm	Extendable Arm (retracted)	Extendable Arm (extended)
A)	Max digging depth	2751	2764	3264
B)	Ground level to rear wheel centre	4283	4296	4782
C)	Ground level to slew centre	3608	3622	4108
D)	At full height to slew centre	1620	1630	1988
E)	To centre line of machine	3986	4000	4486
F)	Operating height	3472	3482	3850
G)	Maximum loadover height	2400	2410	2778
H)	Total kingpost travel	756		
J)	Bucket rotation	204°		
K)	Shovel max. width	2095		
M)	Dump height	2022		
N)	Load over height	2567		
O)	Loader hinge pin height	2800		
P)	Pin forward reach	143		
Q)	Grab lug-bumper distance	1039		
R)	Max. reach at full height	987		
S)	Reach at full height fully dumped	544		
T)	Dig depth	55		
U)	Roll back at ground	36°		
V)	Dump angle	47°		
Z)	Departure angle	24°		
AA)	Total travel length	3720		
BB)	Axle centreline distance	1575		
CC)	Slew centre to rear axle centre distance	694		
DD)	Stabiliser feet clearance	228		
EE)	Kingpost clearance	295		
GG)	Cab roof height	2380		
HH)	Total travel clearance	2298	2308	
L)	Rear frame width	1966		
X)	The distance between pin center and ground	182		
Z2)	Ramp angle	140°		

ATTACHMENTS

HYDRAULIC BREAKER



GENERAL PURPOSE BUCKET



FORKS MOUNTED ON QUICK COUPLER



LEVELLING BLADE



HİDROMEK®

HEAD OFFICE

Address : Ahi Evran OSB Mahallesi,
Osmanlı Caddesi, No:1, 06935
Sincan-ANKARA/TÜRKİYE

Phone : +90 312 267 12 60

Fax : +90 312 267 12 39

E-mail: export@hidromek.com.tr

AFTER SALES SERVICE

Address : İstanbul Yolu 17. Km,
Şehit Osman Avcı Mahallesi,
No: 479, Etimesgut-ANKARA/TÜRKİYE

Phone : +90 312 280 87 40

Fax : +90 312 280 87 48

HİDROMEK® WEST

HIDROMEK MAQUINARIA DE CONSTRUCCION ESPAÑA S.L.

Address : Avenida Del Progres 7 08840 –
Viladecans Barcelona/ SPAIN

Phone : +34 93 638 84 65

E-mail : info@hidromek.es

HİDROMEK® JAPAN

Address : 5-10, Hashimoto 6-chome,
Midori-Ku, Sagamihara,
Kanagawa, 252-0143 JAPAN

Phone : +81 42 703 0261

Fax : +81 42 703 0262

E-mail : Kiyoko.Shinoda@hidromek.com

HİDROMEK® RUS

Address : 72, Zhivopisnaya str, Building A,
village Oktyabrskiy,
Krasnodar, 350032, RUSSIA

Phone : +7 861 290 3007

E-mail : hidromekrus@hidromek.ru

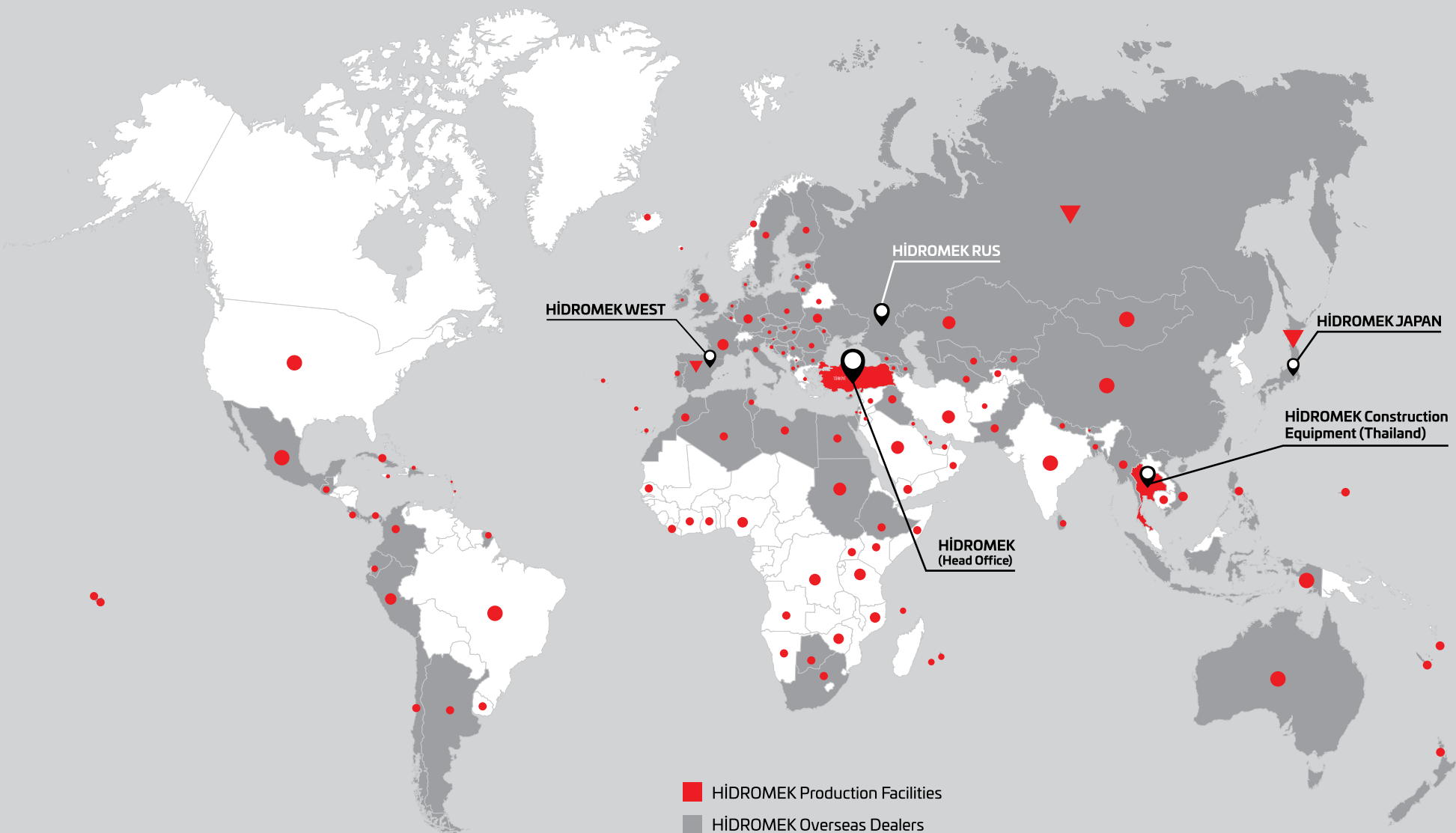
HİDROMEK® HCE

HİDROMEK Construction Equipment (Thailand) Ltd.

Address : Amata City Chonburi Industrial Estate Phase 7,
No. 700/669 Moo 1, T.Phanthong,
A.Phanthong, Chonburi 20160, TAYLAND

Phone : +66 38 447 349

Fax : +66 38 447 355



HÍDROMEK WEST

HÍDROMEK RUS

HÍDROMEK JAPAN

HÍDROMEK Construction Equipment (Thailand)

HÍDROMEK (Head Office)

- HÍDROMEK Production Facilities
- HÍDROMEK Overseas Dealers
- ▼ HÍDROMEK Overseas Sales and Aftersales Services Points
- Countries HÍDROMEK Machines Running

HIDROMEK®

Together Stronger

www.hidromek.com

[f hidromek.tr](https://www.facebook.com/hidromek.tr) [X Hidromek](https://x.com/Hidromek) [ig hidromekofficial](https://www.instagram.com/hidromekofficial) [yt HidromekTv](https://www.youtube.com/HidromekTv) [in company/hidromek](https://www.linkedin.com/company/hidromek)

ENG - OCTOBER 2023 / 1101023 - V

